

# Product datasheet

## Overhead sectional door

### Crawford 370

**ASSA ABLOY**

ASSA ABLOY Entrance Systems

The global leader in  
door opening solutions



# Copyright and Disclaimer Notice

Although the contents of this publication have been compiled with the greatest possible care, ASSA ABLOY Entrance Systems cannot accept liability for any damage that might arise from errors or omissions in this publication. We also reserve the right to make appropriate technical modifications/replacements without prior notice.

No rights can be derived from the contents of this document.

Color guides: Color differences may occur due to different printing and publication methods.

ASSA ABLOY, Besam, Crawford, Megadoor and Albany, as words and logos, are examples of trademarks owned by ASSA ABLOY Entrance Systems or companies within the ASSA ABLOY Group.

Copyright © ASSA ABLOY Entrance Systems AB 2006-2014.

No part of this publication may be copied or published by means of scanning, printing, photocopying, microfilm or any other process whatsoever without prior permission in writing by ASSA ABLOY Entrance Systems.

All rights reserved.

# Technical facts

## Features

Max size: (W x H)*	6000 x 5000 mm
Panel thickness:	70 mm
Panel material:	Microrilled aluminium
Filling:	CFC-free polyurethane, flame retardant DIN 4102-B2
Weight:	Alu: 12 kg/m <sup>2</sup>
Colour outside:	Natural aluminium
Colour inside:	Natural aluminium
Track types:	Standard: SL Optional: HL, LL, VL,
Windows:	Optional: ALR
Passdoor:	Not available
Electrical operation:	Optional: Automated operation, Access control, Safety functions

\* On request available up to 8000 x 6000 mm

## Performance

Opening/closing speed:	CDM9: 0,25 m/s CDM9 HD: 0,18 m/s CDM9 2H: opening 0,5 m/s, closing 0,25 m/s
Life time expectations:	Door: 100.000 door cycles Springs: 20.000 door cycles
Wind load, EN12424*	Class 3 ( $\leq$ 4250 mm DLW) Class 2 ( $>$ 4250 mm DLW)
Thermal transmittance, EN12428	0,33 W/(m <sup>2</sup> .k) Panel
Water penetration, EN12425	Class 2 (3500 x 3000 mm)
Air permeability, EN12426	Class 3 (3500 x 3000 mm)

\* Higher wind load classification on request

# Contents

Copyright and Disclaimer Notice .....	2
Technical facts .....	3
Contents .....	4
<b>1. Description .....</b>	<b>6</b>
1.1 General .....	6
1.1.1 Standard .....	6
1.1.2 Options .....	6
1.2 Door leaf .....	7
1.2.1 Construction .....	7
1.2.2 Material .....	7
1.2.3 Colours .....	7
1.2.4 Seals .....	8
1.2.5 Wind reinforcement truss .....	8
1.2.6 Handle .....	9
1.2.7 Locks .....	9
1.2.8 Windows .....	10
1.2.9 Finger pinch protection .....	10
1.2.10 Fixed sections .....	10
1.3 Track sets .....	11
1.3.1 General .....	11
1.3.2 Standard Lift .....	11
1.3.3 Standard Low Lift .....	11
1.3.4 High Lift .....	12
1.3.5 Low lift .....	12
1.3.6 Vertical Lift .....	12
1.3.7 Special track sets .....	13
1.4 Balancing system .....	14
1.4.1 Safety devices .....	14
1.5 Operating system .....	15
1.5.1 Types of operation .....	15
1.5.2 CDM9 Operator - 900 Door control systems .....	16
1.5.3 Access and automation .....	18
1.6 Monitoring systems .....	21
1.6.1 Saving energy .....	21
1.6.2 Security enhancement .....	21
1.6.3 Dock management .....	21
1.6.4 Facility management .....	21
<b>2. Specifications .....</b>	<b>22</b>
2.1 Dimensions .....	22
2.1.1 Daylight width and daylight height .....	22
2.1.2 Section sizes .....	22
2.1.3 Vertical cross-section .....	22
2.2 Windows .....	23
2.2.1 Number of windows .....	23
2.3 Door operation .....	23
2.3.1 Selection guidelines for operation type .....	23
2.3.2 Selection guidelines for door operator .....	23
2.3.3 900 Door control systems - Selection guidelines .....	24
2.3.4 900 Door control systems - Selection guidelines for automation .....	24

3.	CEN Performance .....	25
3.1	Lifetime expectation .....	25
3.2	Resistance to windload .....	25
3.3	Resistance to water penetration.....	25
3.4	Air permeability .....	26
3.5	Thermal transmittance.....	26
3.6	Operating forces and safe openings.....	26
4.	Building and space requirements .....	27
4.1	Building preparations .....	27
4.1.1	Installation preparations.....	27
4.1.2	Deflection of door panels.....	27
4.1.3	Electrical preparations .....	27
4.2	Space requirements .....	28
4.2.1	Space requirements SL .....	29
4.2.2	Space requirements HL .....	30
4.2.3	Space requirements LL .....	31
4.2.4	Space requirements VL.....	32
4.2.5	Space requirements Door operators.....	33
5.	Service .....	34
	Index .....	35

# 1. Description

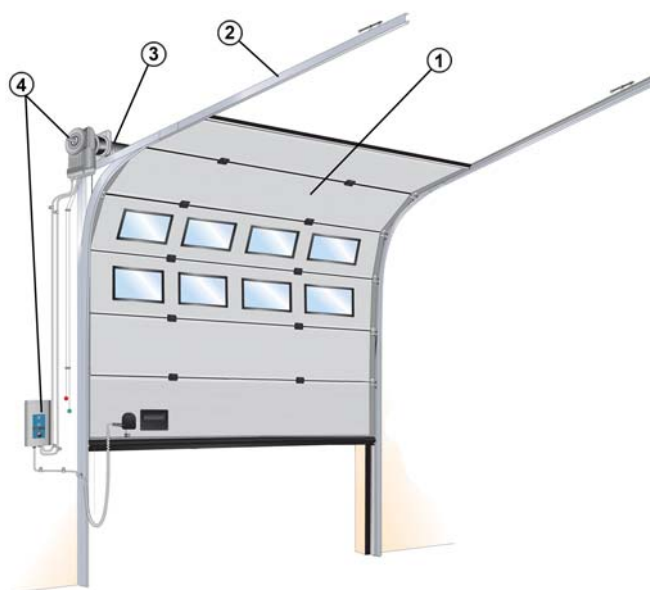
## 1.1 General

The Crawford 370 overhead sectional door is one of the best insulated overhead doors on the market. The door is made of 70 mm insulated panels that provide minimal thermal transmittance. That makes the Crawford 370 the perfect entrance solution for projects where maximum insulation is an issue.

The Crawford 370 is an overhead sectional door, suitable for all types of buildings, with regard to both function and appearance. High flexibility makes it possible to install this door in almost every type of building.

The door slides up under the roof when opened, allowing free space around the door opening and leaving the door opening completely free.

The Crawford 370 overhead sectional door has been designed to meet all operational and safety requirements in the European Directives and the standards issued by the European Standardization Committee, CEN.



The door has 4 primary parts:

- 1) Door leaf
- 2) Track set
- 3) Balancing system
- 4) Operating system/chainhoist (optional)

### 1.1.1 Standard

Although every Crawford door is custom built, the Crawford 370 overhead sectional door is supplied with the following specifications as standard:

Door leaf:	Insulated aluminium panel
Locks:	Lock bolt with lock hole protection
Colours:	Aluminium
Track type:	SL: Standard Lift
Operation:	Pull down rope and step/lifting handle
Safety:	SBD: Spring Break Device

### 1.1.2 Options

Crawford provides a wide range of options and accessories to customise the Crawford 370 overhead sectional door to any customer's needs.

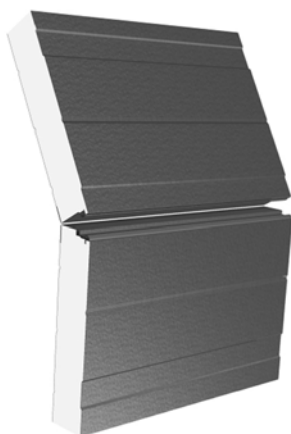
Top panel:	Up to 750 mm
Passdoor:	Not available
Panel windows:	ALR: Aluminium Rectangular
Framed section:	Not available
Locks:	Cylinder lock
Colours:	Factory painting - complete or panel only
Fixed sections:	Top and side sections
Track types:	HL: High Lift LL: Low Lift VL: Vertical Lift SLL Standard Low Lift
Operation:	D hoist T hoist U hoist CDM9 Operator CDM9 HD Operator CDM9 2H Operator
Safety:	CBD: Cable Break Device



## 1.2 Door leaf

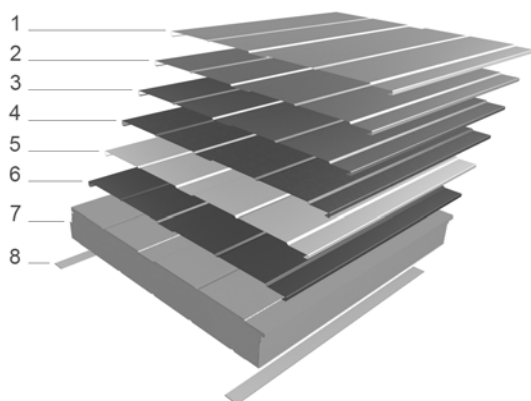
### 1.2.1 Construction

The Crawford 370 overhead sectional door leaf has horizontal sections, connected together with hinges. The outer hinges of each section have rollers that run in the tracks. The horizontal sections are insulated panels, filled with CFC-free polyurethane.



### 1.2.2 Material

The surface of the door leaf panels is characterized by the microrilled aluminium sheet.



- 1) Polyester coating
- 2) Primer
- 3) Chromate layer
- 4) Aluminium sheet
- 5) Chromate layer
- 6) Primer
- 7) CFC-free polyurethane, flame retardant DIN 4102-B2
- 8) Reinforcement strips

### 1.2.3 Colours

#### 1.2.3.1 Standard colour

##### Aluminium

- Outside colour: Aluminium
- Inside colour: Aluminium.

#### 1.2.3.2 Optional colours \*

##### Factory painting

The door leaf can be factory painted in any RAL colour, outside only. The painting can be applied to only the panel or to the complete door leaf, including frames and strips.

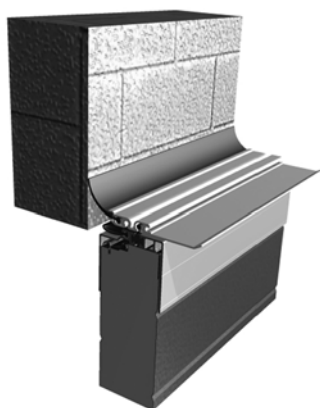
\* Other colors available on request

### 1.2.4 Seals

The door is equipped with well designed seals on all sides that gives the door its excellent sealing abilities.

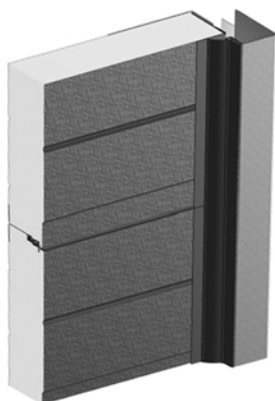
#### 1.2.4.1 Top seal

Installed on the top panel to seal the gap between the panel and the wall. The flexible EPDM rubber material provides continuous pressure on the top wall, ensuring maximum sealing.



#### 1.2.4.2 Side seal

Installed on the track set to close the gap between the tracks and the door leaf. The flexible rubber material provides continuous pressure on the door leaf, while dodging irregularities, ensuring maximum sealing.



#### 1.2.4.3 Bottom seal

Installed on the bottom edge of the bottom panel, to act as a barrier as well as a shock absorber. The flexible EPDM rubber material and the O-shape provides continuous pressure on the floor, ensuring maximum sealing.



### 1.2.5 Wind reinforcement truss

Wider door panels and panels with windows are reinforced with metal profiles that act as trusses. These trusses reduce bending of the panel caused by wind loads or when the door leaf is in the horizontal position and is bending under its own weight.





### 1.2.6 Handle

For manual operation, every Crawford 370 overhead sectional door is provided with a solid, easy to grip and step-on handle, finished with the Crawford logo.



### 1.2.7.2 Cylinder lock

The Cylinder lock is a key operated lock which offers extra security. The lock is installed on the inside and can be unlocked with a key and turning the handle. Access to the Cylinder lock is possible from either only the inside, or both the inside and the outside.



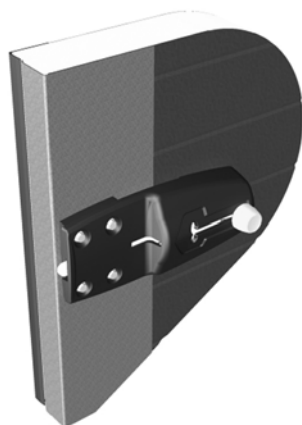
### 1.2.7 Locks

#### 1.2.7.1 Lock bolt

A standard Crawford 370 overhead sectional door is equipped with a Lock bolt.

The Lock bolt locks the door from the inside, without the use of a key.

The Lock bolt is not visible from the outside.

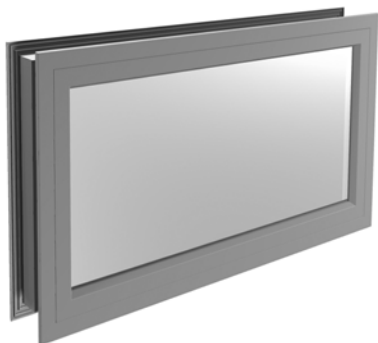


### 1.2.8 Windows

The door sections can be glazed with windows\*. The number of windows per section is directly related to the daylight width. Optionally, one single window can be placed on the outer left or right side, in the third section.

\*The bottom section cannot be glazed.

#### 1.2.8.1 ALR

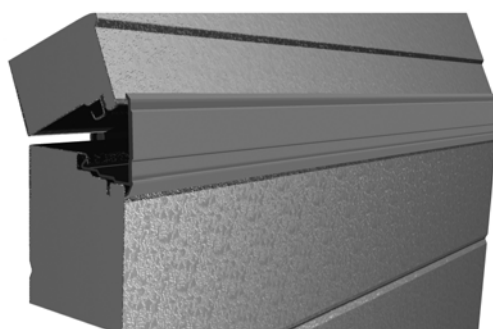


- Insulated Double Acrylic Glass Rectangular, in Aluminium frame
- Light opening: 579x 269 mm
- Window frame: Aluminium

### 1.2.9 Finger pinch protection

The section closing gaps which are accessible during the door movement are safe-guarded according the below table:

Hardware type	Daylight height	Remarks
SL, LL	<= 2700mm	All sections
SH	DLH + HL <= 2900mm	All sections
VL	NA	NA



#### 1.2.10 Fixed sections

Fixed sections can advantageously fill space around new doors that are smaller than the wall opening. Fixed sections are available in top and side sections. Fixed sections are supplied in the same color and construction as the door leaf.

## 1.3 Track sets

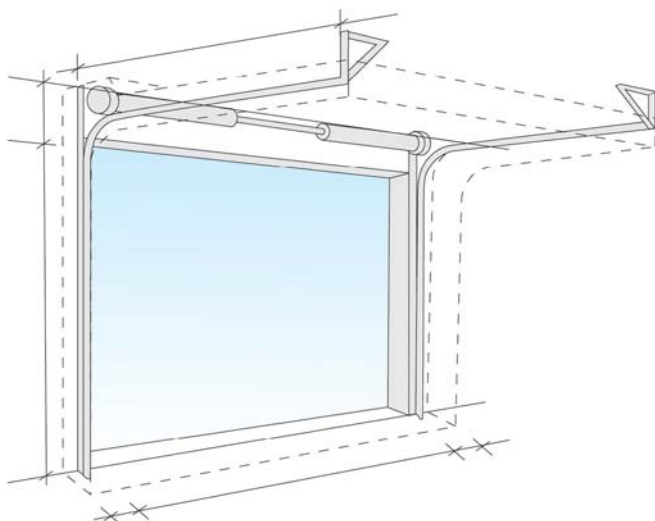
### 1.3.1 General

The track set supports the door leaf on its rollers and guides it upwards. The selection of the appropriate track set is based on various factors:

- Available head room
- Door height
- Type of vehicles
- Presence of roof obstructions, pipes and overhead crane beams.

The track sets below cover most applications. Other applications are available on request.

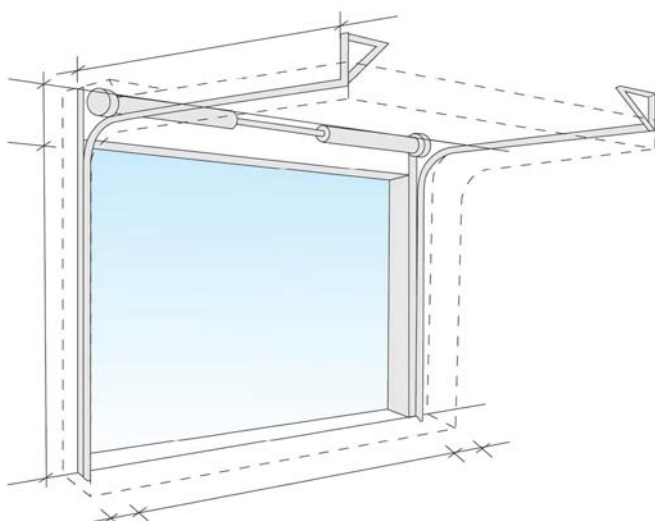
### 1.3.2 Standard Lift



- Building type: Most standard industrial buildings.
- Benefits: Optimal design for common buildings.

The Standard Lift track set, with the spring package just above the door, is the most common solution

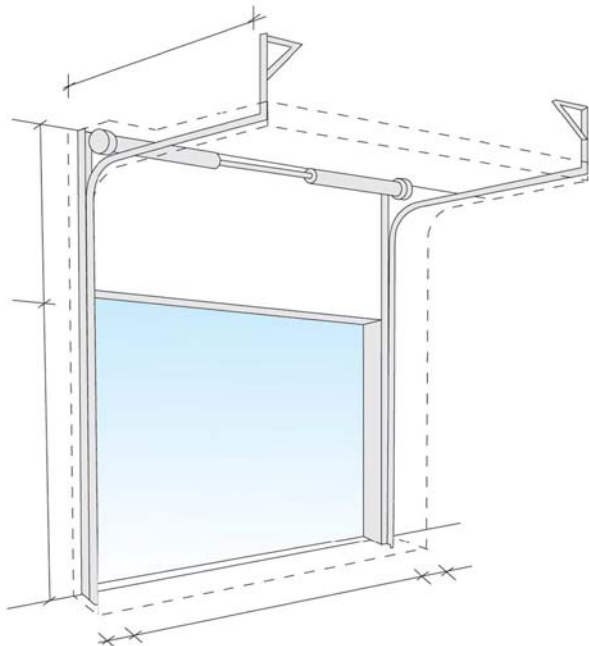
### 1.3.3 Standard Low Lift



- Building type: Low ceilings.
- Benefits: Achieve more daylight width with a limited head room.

The Standard Lift Low track set is a variant of the Low Lift where the spring package is installed just above the door.

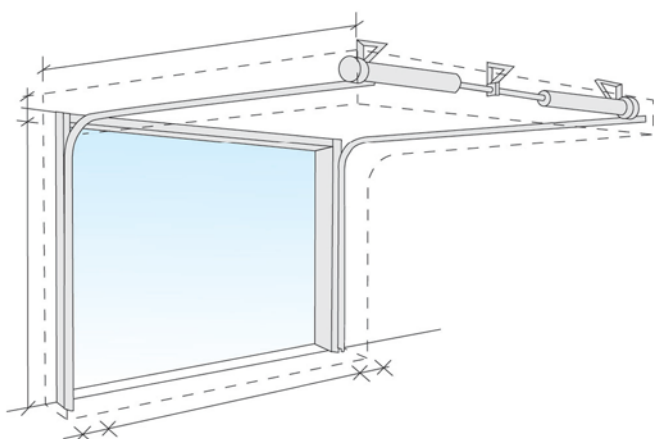
### 1.3.4 High Lift



- Building type: High ceilings. On the High Lift track set the spring package is placed high above the door.
- Benefits: This track type allows high vehicles to cross along the door opening without obstructions of the horizontal tracks.

This track type is used when the space above the door is considerable, and is needed for work and traffic, e.g.: high vehicles.

### 1.3.5 Low lift

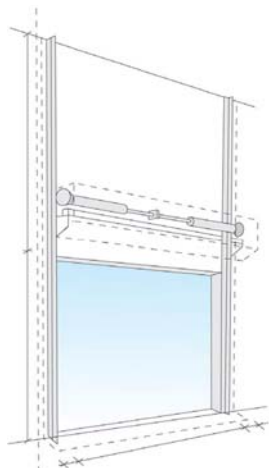


- Building type: Low ceilings.
- Benefits: Achieve maximum daylight height with minimum head room

Same as standard lift, but with the spring package at the end of the horizontal tracks. The space between the door opening and the roof does not need to be more than 265 mm.

For doors with a weight > 250 kg and/or doors with pass door, the required head room is 300 mm.

### 1.3.6 Vertical Lift



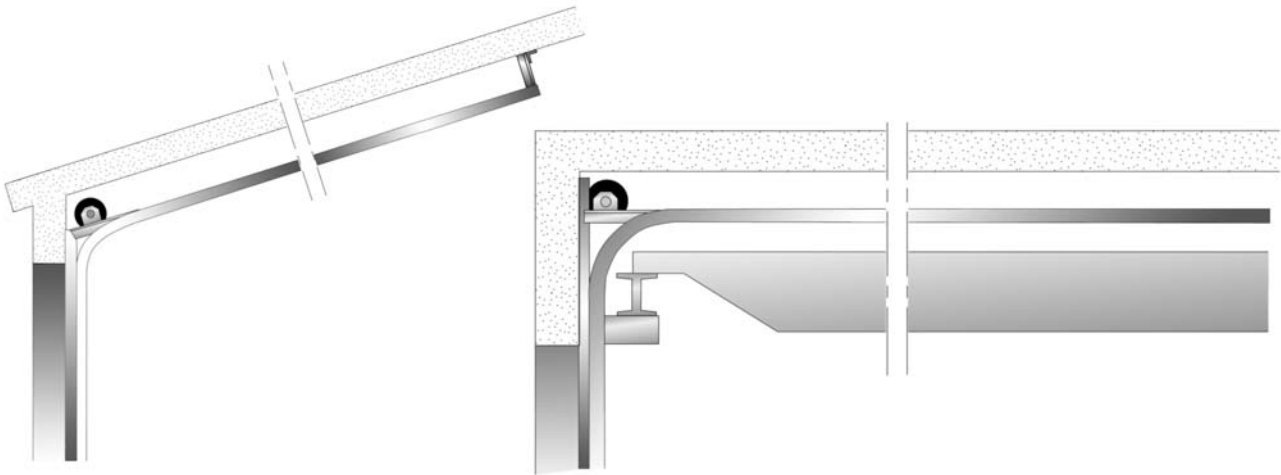
- Building type: Very high ceiling and high working space requirements.
- Benefits: Allows high vehicles to cross along the door opening without any obstructions.

If the space between the daylight height and the roof is sufficient, with this track type, the door can be opened vertically.

### 1.3.7 Special track sets

The Crawford 370 overhead sectional door track set can be custom designed to make the door fit in places that seem quite impossible. Our door technicians can solve installation problems where the door must share space with ventilation systems, crane beams, etc. For example:

---



## 1.4 Balancing system

The balancing system balances the door by applying a force nearly equal to the weight of the door leaf. This allows the door leaf to be moved up and down manually, and to stay open in any position.

The system is installed on the top or the end of the track set and works as follows: Two torsion springs are installed on a shaft above the door opening. This shaft has a cable drum on each end from which door cables run to the bottom corners of the door leaf. Turning the shaft moves the door up or down.

### 1.4.1 Safety devices

The balancing system supports heavy forces. In case of a spring or cable break, its counterforce is lost. The door is therefore equipped with two safety devices that can block downward door movement:

- Spring Break Device (standard)
- Cable Break Device (optional)

#### 1.4.1.1 Spring break device (SBD)

The Spring Break Device (SBD) is delivered with all Crawford 370 overhead sectional doors.

In the event of a spring break, the sudden drop force activates the Spring Break Device (SBD). The shaft will be locked in less than 300mm of door movement.



#### 1.4.1.2 Cable break device (CBD)

The Cable Break Device (CBD) is an optional safety device. In the event of a cable failure the door leaf will be blocked in less than 300mm to avoid damage.





## 1.5 Operating system

### 1.5.1 Types of operation

The Crawford 370 overhead sectional door can be opened and closed manually. They are also prepared for electrical operation. Electrically operated doors can be controlled by hand or be fully automatic. Traffic frequency, climate requirements and the weight of the door play a key role in choosing the optimal control system.

#### 1.5.1.1 Pull-down rope

The Crawford 370 overhead sectional door can be operated manually with a pull-down rope. The pull-down rope is directly connected to the door leaf.



#### 1.5.1.2 Chain hoist

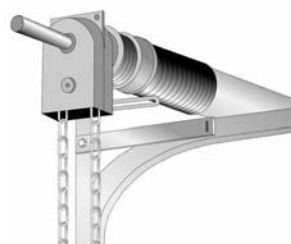
For heavier doors, a chain hoist allows easier door operation. There are three types of chain hoist:

- D-hoist: Non-g geared chain transmission directly connected to the shaft. Recommended for doors up to 250 kg (For hexagonal shaft only).
- T-hoist: Geared (ratio 1:4) chain transmission directly connected to the shaft. Recommended for doors up to 250 kg (For all shaft types).
- U-hoist: Geared (ratio 1:3) indirect chain transmission. Recommended for doors of 250 kg and above (For all shaft types).

##### D-hoist:



##### T-hoist:



##### U-hoist:



### 1.5.1.3 Electrical operation

The Crawford 370 overhead sectional door can be supplied or upgraded with an electrical operating system. Electrical operation gives access to the full program of Access and Automation functions, that can fulfill many operational needs, related to traffic type and frequency, door weight and temperature control.

---



### 1.5.2 CDM9 Operator - 900 Door control systems

The CDM9 operator is a combination of the CDM9 operator and a 900-series Door control system. The regular CDM9 model is available for doors up to 400 kg. The CDM9 HD model is available for doors up to 800 kg. The double speed CDM9 2H model is available for doors up to 250 kg.

#### 1.5.2.1 CDM9 Operator

One main part of the system is the operator: an electric motor which drives the balancing shaft with the cable drums and torsion springs. It can be retrofitted to an already installed door. The CDM9 operator is mounted directly on the balancing shaft and does not require any special wall reinforcement.

Key features:

- Smooth and silent
  - Soft start and stop
  - Fits all track types and shafts
  - Life time: 84.000 - 300.000 door cycles (depending on weight and temp.) e.g.:
    - temp. 0 °C - +40 °C/weight 250 kg = 300.000 cycles
    - temp. -20 °C - +60 °C/weight 400 kg = 84.000 cycles
- 



### 1.5.2.2 900 Door control systems

#### General

The 900 Door control system series provides a range of control units, from basic up, stop and down buttons to advanced automated control. The 900 series door control units have a IP 55 classification.

The design of all control units is based on modules, and it is possible to upgrade or downgrade safety or automation functions. Additional kits such as magnetic loop, photocells, radar, radio and reduced door opening are available.

#### 920 Door control system

The 920 Door control system is the basic control unit that has the necessary hold-to-run or impulse open, hold-to-run close and stop functions and a slot for an external control box.

This control unit is the economical solution for working environments where the door opening frequency is low.



#### 950 Door control system

The 950 Door control system is the most advanced control unit that is prepared for one or more physical upgrades from the entire range of automation systems. An automation system allows door operation by sensors or remote control.

This control unit contains a 3-digit diagnostics display that allows efficient troubleshooting and displays the number of door cycles. Together with the service indicator, this extra feature allows advanced maintenance planning to users where the door is an essential element of internal logistics.



#### 930 Door control system

The 930 Door control system is a basic control unit that has impulse up and down functions with supervised safety edge. An extra set of upgrade features, such as external control, that can be installed during or after installation, is available.

This control unit is the more advanced solution for door openings that are frequently used by pedestrians and forklift trucks, because of its automated opening and closing function.



### 1.5.3 Access and automation

Crawford offers a wide range of functions that allows advanced opening and safety control. Please refer to the specification sheet of the control units to see which functions apply to which models.

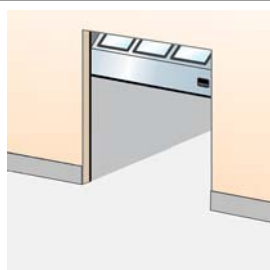
#### 1.5.3.1 Basic control functions

##### Interlocking



Developed for climate control or safety; If door A is open, door B cannot be opened. If door B is open, door A cannot be opened. An interlocked door can remember an up-command, if selected via a micro switch.

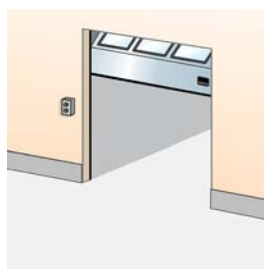
##### Reduced opening



When it is unnecessary or undesirable to fully open a door, an additional switch can be used to open the door to a pre-programmed reduced opening position.

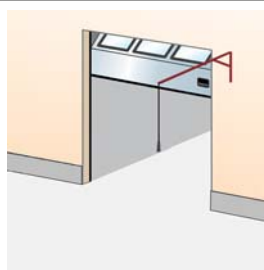
#### 1.5.3.2 External control functions

##### External push button box



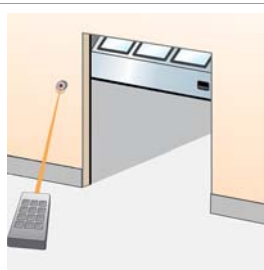
An extra control box is installed outside the building or inside close to the door if the main control unit needs to be installed away from the door opening. Installed on the inside or outside wall beside the door.

##### Pull-rope switch



A pull-rope switch above the door opening can be operated from e.g. a forklift truck. Pulling the rope opens a closed door or closes an opened door. Installed on the inside construction above the door.

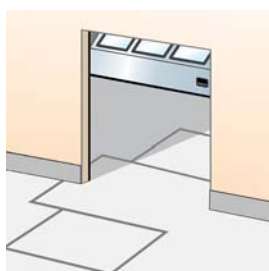
##### Remote control



A hand-held radio transmitter allows door operation from a vehicle or any position within 50-100 meters from the receiver and aerial at the door. For closing, the door can be provided with a photocell beam. Receiver installed in control unit, antenna installed on the wall beside the door.

### 1.5.3.3 Automatic control functions

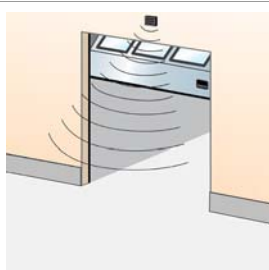
#### Magnetic loop



A sensor in the floor detects a metal object (usually forklift trucks, pallet trucks) and opens the door automatically. This is an ideal solution for frequent vehicle traffic.

Installed on the outside, inside or both sides of the door in the floor.

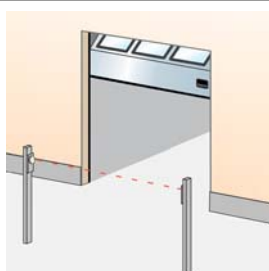
#### Radar



An infrared sensor above the door detects an object (person, vehicle) within a specified distance from the door and opens the door automatically. This is an ideal solution for frequent vehicle or personal traffic. Often combined with automatic closing.

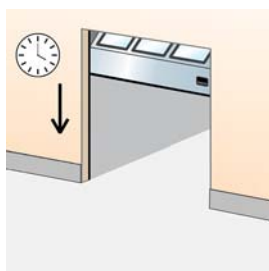
Installed on the inside or outside wall above the door.

#### Photocell open door



A set of photocells on pillars, on each side of the door. When a person or vehicle passes between the photocells, the beam is interrupted and the door opens. Photocells installed on pillars, away from the door.

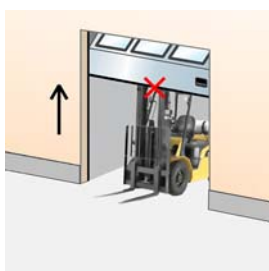
#### Automatic closing



A programmable timer that closes the door after a specified time, counted from either the fully open position and/or from passing through the photocell beam. Adjustable micro switches in control unit.

### 1.5.3.4 Safety functions

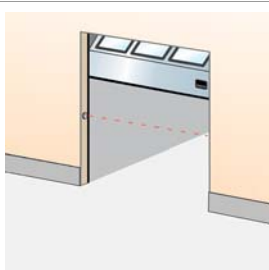
#### Safety edge



As a standard, all doors that have the impulse-close function or any form of automated closing, are equipped with a safety edge. The pneumatic sensor in the bottom seal detects any obstruction under a closing door and reverses the door.

Installed in the bottom seal.

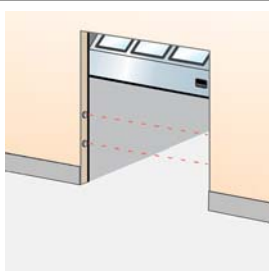
#### Safety photocells 1-channel



A set of a photocell transmitter and receiver is installed in the door opening. If the photocell beam is interrupted during closing, the door will stop in less than 30mm and reverse to the fully open position.

Installed in the door opening.

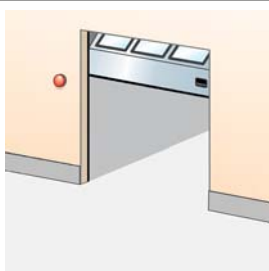
#### Safety photocells 2-channel



Two sets of photocell transmitter and receiver are installed in the door opening. If one or both photocell beams are interrupted during closing, the door will stop in less than 30mm and reverse to the fully open position.

Installed in the door opening.

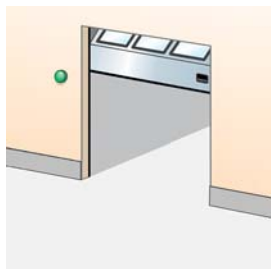
#### Warning lights - Red



Two red warning lights giving information on the current door behaviour. Flashing light before or during door movement. Optional: Continuous light before and during door movement.

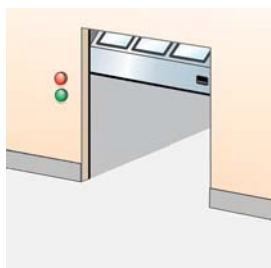
Installed on the inside and outside wall beside the door.

### Warning lights - Green



One or two green warning lights indicating the open position of the door by continuous light signal.  
Installed on the inside and/or outside wall beside the door.

### Traffic lights - Red & Green



If traffic through a door needs to be directed; two red and two green traffic lights can be installed to indicate traffic direction. From the side where a vehicle is first detected to approach the door, the green traffic light comes on. The opposing side shows a red traffic light. Traffic from this direction must give way to the other. Usually installed in e.g. parking garages.  
Installed on the inside and outside wall beside the door.

### 1.5.3.5 Additional functions

#### UPS battery backup



When mains failure cannot be permitted or an increased risk of mains failure is predicted, the UPS battery backup system can be installed to store enough energy for 10 door cycles.  
Installed on the inside wall beside the door.

#### Relay box



A sealed connection box makes it possible to safely connect external high-voltage equipment.



## 1.6 Monitoring systems

As an option on all our products, a Crawford Monitoring System can be installed. This system helps to ensure efficiency and security in daily operations. All doors or docking stations are connected to the Monitoring System's server, which gives the opportunity to supervise, monitor and report a wide variety of aspects in a facility.



### 1.6.1 Saving energy

A monitoring system reduces energy costs and contributes to a better environment. Energy is lost every time a door is open. If a door is open when no truck is at the bay, even more energy is lost.

A Crawford Monitoring System automatically ensures that no door will open unless there is a truck at the bay and even set it to close when there an activity is delayed.

### 1.6.2 Security enhancement

Closing and locking doors is an obvious daily routine. However, checking this manually can be time consuming in a busy facility.

A Crawford Monitoring System can automatically ensure that all doors are closed and locked when they need to be. It can also activate all doors and locks from its remote location, and give a real-time overview of the building's situation.

### 1.6.3 Dock management

A good way to increase throughput and thereby efficiency at a logistics facility is to reduce the time of having no truck – or the wrong truck – at a loading bay.

A Crawford Monitoring System makes visible – in real-time – which bays are occupied or free, and for how long. It makes it possible to reserve bays for docking activities and to inform drivers via SMS. Since it incorporates information from cameras and other inputs (RFID, card readers, etc.), the system stays updated in real-time.

### 1.6.4 Facility management

The Crawford Monitoring System gives a real-time service status for all your door and docking equipment. If an error code occurs, the Crawford service organisation is automatically notified, and will respond quickly. Other maintenance information can easily be integrated, further reducing the overall costs.

## 2. Specifications

### 2.1 Dimensions

#### 2.1.1 Daylight width and daylight height

The standard Crawford 370 overhead sectional door is delivered in the following size range:

	Daylight width	Daylight height
Min.:	2050 mm	2100 mm
Max.:	6000 mm	5000 mm

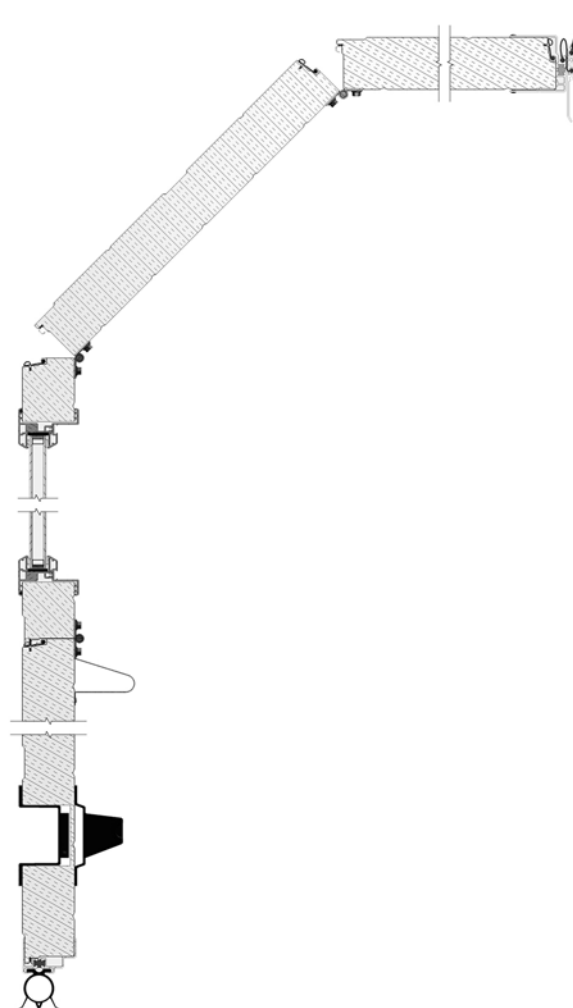
Other sizes may be available on request.

#### 2.1.2 Section sizes

Section height:	500 mm
Top section height:	300-750 mm trimcut
Thickness:	70 mm

The door leaf height is achieved by trimcutting the top section.

#### 2.1.3 Vertical cross-section



- 1) Top seal
- 2) Broken thermal bridge profile (Top)
- 3) Inner sheet Aluminium
- 4) Outer sheet Aluminium
- 5) Window (optional)
- 6) Insulation: polyurethane, self-extinguishing
- 7) Step/lift handle
- 8) Bottom seal
- 9) Broken thermal bridge profile (Bottom)
- 10) Panel truss - wind reinforcement (if necessary)

## 2.2 Windows

### 2.2.1 Number of windows

For windows the daylight width is divided into a fixed grid. The number of windows depends on the daylight width of the door.

#### 370 Windows

Daylight width	No. of windows
1025 - 1870 mm	1
1875 - 2720 mm	2
2721 - 3570 mm	3
3571 - 4420 mm	4
4421 - 5270 mm	5
5271 - 6000 mm	6

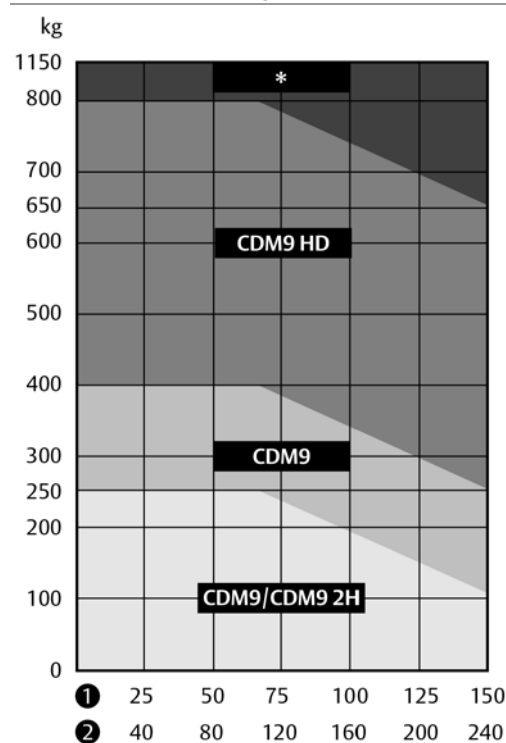
## 2.3 Door operation

### 2.3.1 Selection guidelines for operation type

Door size m <sup>2</sup>	Openings / day			
	1-5/day	5-10/day	10-15/day	>25/day
0 – 10	□ / ■	□ / ■	■ / ■	■ / ■
10 – 20	□ / ■	■	■ / ■	■ / ■
> 20 - 42	■	■	■ / ■	■ / ■
> 42*	■	■	■ / ■	■ / ■

- Manual operation
- Electrical operation
- Automated operation

### 2.3.2 Selection guidelines for door operator






#### Door openings/day

1. Over 300 days/year
2. Over 220 days/year

#### Average door weight

- Steel door : 13 kg/m<sup>2</sup>
- Alu door : 10 kg/m<sup>2</sup>

### 2.3.3 900 Door control systems - Selection guidelines

Functions included	920	930	950
			
Open (by impulse)	<input checked="" type="checkbox"/>	<input checked="" type="checkbox"/>	<input checked="" type="checkbox"/>
Open (hold to run)			
Stop	<input checked="" type="checkbox"/>	<input checked="" type="checkbox"/>	<input checked="" type="checkbox"/>
Close (by impulse)		<input checked="" type="checkbox"/>	<input checked="" type="checkbox"/>
Close (hold to run)	<input checked="" type="checkbox"/>		
Safety edge		<input checked="" type="checkbox"/>	<input checked="" type="checkbox"/>
Open function		<input checked="" type="checkbox"/>	<input checked="" type="checkbox"/>
One button function			<input checked="" type="checkbox"/>
Display (diagnostics)			<input checked="" type="checkbox"/>
Service indicator			<input checked="" type="checkbox"/>

Standard  
 Option / Available

### 2.3.4 900 Door control systems - Selection guidelines for automation

The "Automation D-kits" are packages of common combinations. These kits can also be supplemented by "additions to D-kits".




Automation D-kits	D1	D2	D3	D4	D5	D6	D7
Interlocking	<input checked="" type="checkbox"/>	<input checked="" type="checkbox"/>	<input checked="" type="checkbox"/>	<input checked="" type="checkbox"/>	<input checked="" type="checkbox"/>	<input checked="" type="checkbox"/>	<input checked="" type="checkbox"/>
Magnetic loop		<input checked="" type="checkbox"/>		<input checked="" type="checkbox"/>		<input checked="" type="checkbox"/>	
Traffic lights - Green + Red					<input checked="" type="checkbox"/>	<input checked="" type="checkbox"/>	
Warning lights - Red	<input checked="" type="checkbox"/>			<input checked="" type="checkbox"/>			

**Additions to D-kits**

Warning lights - Green			<input type="checkbox"/>				
Relay box	<input type="checkbox"/>	<input type="checkbox"/>	<input type="checkbox"/>	<input type="checkbox"/>	<input type="checkbox"/>	<input type="checkbox"/>	<input type="checkbox"/>
Radar	<input type="checkbox"/>	<input type="checkbox"/>	<input type="checkbox"/>	<input type="checkbox"/>	<input type="checkbox"/>	<input type="checkbox"/>	<input type="checkbox"/>

Standard  
 Option / Available

The following options can be individually selected to add functionality to the control unit.

Functions optional	920	930	950
			
<b>Complete kits</b>			
Automation D-kits			<input type="checkbox"/>
<b>Basic control functions</b>			
Interlocking			<input type="checkbox"/>
Reduced opening			<input type="checkbox"/>
<b>External control functions</b>			
External pushb. box	<input type="checkbox"/>	<input type="checkbox"/>	<input type="checkbox"/>
Pull-rope switch		<input type="checkbox"/>	<input type="checkbox"/>
Remote control open/stop/close		<input type="checkbox"/>	<input type="checkbox"/>
Remote control 1-button function			<input type="checkbox"/>
<b>Automatic control functions</b>			
Automatic closing		<input type="checkbox"/>	<input type="checkbox"/>
Photocell open door			<input type="checkbox"/>
<b>Safety functions</b>			
Safety photocell (1 or 2)		<input type="checkbox"/>	<input type="checkbox"/>
French safety logic			<input type="checkbox"/>
<b>Additional functions</b>			
UPS Battery backup	<input type="checkbox"/>	<input type="checkbox"/>	<input type="checkbox"/>
Relay box			<input type="checkbox"/>

Standard  
 Option / Available

## 3. CEN Performance

### 3.1 Lifetime expectation

- 100.000 door cycles or 10 years (in a normal industrial environment)
- Springs: 20.000 door cycles

### 3.2 Resistance to windload

<b>EN12424</b>	<b>Without passdoor</b>
Test result	Class 3

Class	Pressure Pa (N/m <sup>2</sup> )	Specification
0	-	No performance determined
1	300	
2	450	
3	700	
4	1000	
5	> 1000	Exceptional : Agreement between manufacturer and supplier

Door size 3500 x 3000 mm

### 3.3 Resistance to water penetration

<b>EN12425</b>	<b>Without passdoor</b>
Test result	Class 2

Class	Pressure Pa (N/m <sup>2</sup> )	Specification
0	-	No performance determined
1	30	Waterspray for 15 minutes
2	50	Waterspray for 20 minutes
3	> 50	Exceptional : Agreement between manufacturer and supplier

### 3.4 Air permeability

<b>EN12426</b>	<b>Without passdoor</b>
----------------	-------------------------

Test result	Class 3
-------------	---------

Class	Air permeability dp at a pressure of 50 Pa (m <sup>3</sup> /m <sup>2</sup> /h)
-------	--

0	-
1	24
2	12
3	6
4	3
5	1,5
6	Exceptional : Agreement between manufacturer and supplier

### 3.5 Thermal transmittance

<b>EN12428</b>	<b>Aluminium Panel</b>
----------------	------------------------

Thermal transmittance	0,3
-----------------------	-----

### 3.6 Operating forces and safe openings

EN12453 & EN12604	Crushing force N	Crushing force N	Crushing force N
Opening gap mm	200 mm from lateral border right from outside	In the middle of the door opening	200 mm from lateral border left from outside
50 mm	passed	passed	passed
300 mm	passed	passed	passed

The crushing force is the force needed for the safety edge to be activated. The maximum force allowed, according to EN12453 safety in use of power operated doors is 400 N within a maximum period of time of 0.75s.

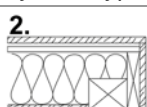
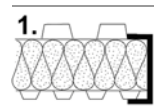


## 4. Building and space requirements

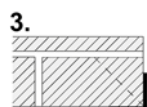
### 4.1 Building preparations

#### 4.1.1 Installation preparations

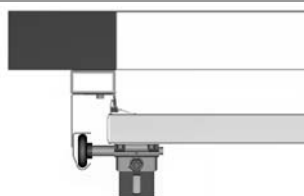
The Crawford 370 overhead sectional door is shipped in parts and installed on-site. All necessary installation material is included. For every track type Crawford offers specific installation kits to position the door in the building facade.



- 1) Steel
- 2) Wood
- 3) Brick & Concrete



#### 4.1.2 Deflection of door panels



The following doors must be installed on a frame, equipped with an A-65 top seal.

- Doors DLW > 6000 mm
- Doors DLW > 4000 mm with high lift and dark outside colour, installed facing south.

#### 4.1.3 Electrical preparations

The manually operated door needs no electrical supply.

For an electrically operated door, the following environment criteria and electrical supplies are required for the operator to function properly:

	CDM9	CDM9 HD	CDM9 2H
<b>Voltage supply: +/- 10%</b>	230V AC 1-phase 50/60Hz	230V AC 1-phase 50/60Hz	230V AC 1-phase 50/60Hz
<b>Power:</b>	0,37 kW	0,6 kW	0,37 kW
<b>Degree of protection:</b>	IP55, excl. connector IP 44	IP55, excl. connector IP 44	IP55, excl. connector IP 44
<b>Allowed door weight, max.:</b>	400 kg	800 kg	250 kg
<b>Temperature working range:</b>	-20 °C to +55 °C*	-20 °C to +55 °C*	-20 °C to +55 °C*
<b>Operating factor:</b>	ED = 30% S3 10 min. intermittent	ED = 30% S3 10 min. intermittent	ED = 30% S3 10 min. intermittent
<b>Mounting preparations:</b>	-	When installing to the wall, an extra attachment angle is required	-

\*) Normal opening speed in a temperature down to -8°C. In the temperature range -8 °C to -20 °C the opening speed is reduced during the first cycle to prolong the operator's lifetime. An optional heating element is available for a working range down to -30 °C

## 4.2 Space requirements

DLH	= Daylight Height	The height of the clear opening
DLW	= Daylight Width	The width of the clear opening
D	= Depth	The space between the inner side of the wall and the end of the horizontal track construction
h	= Excess height	The extra space required above the daylight height.
SL	= Side space Left	The space required for tracks beside the daylight width.
SR	= Side space Right	The space required for tracks beside the daylight width.

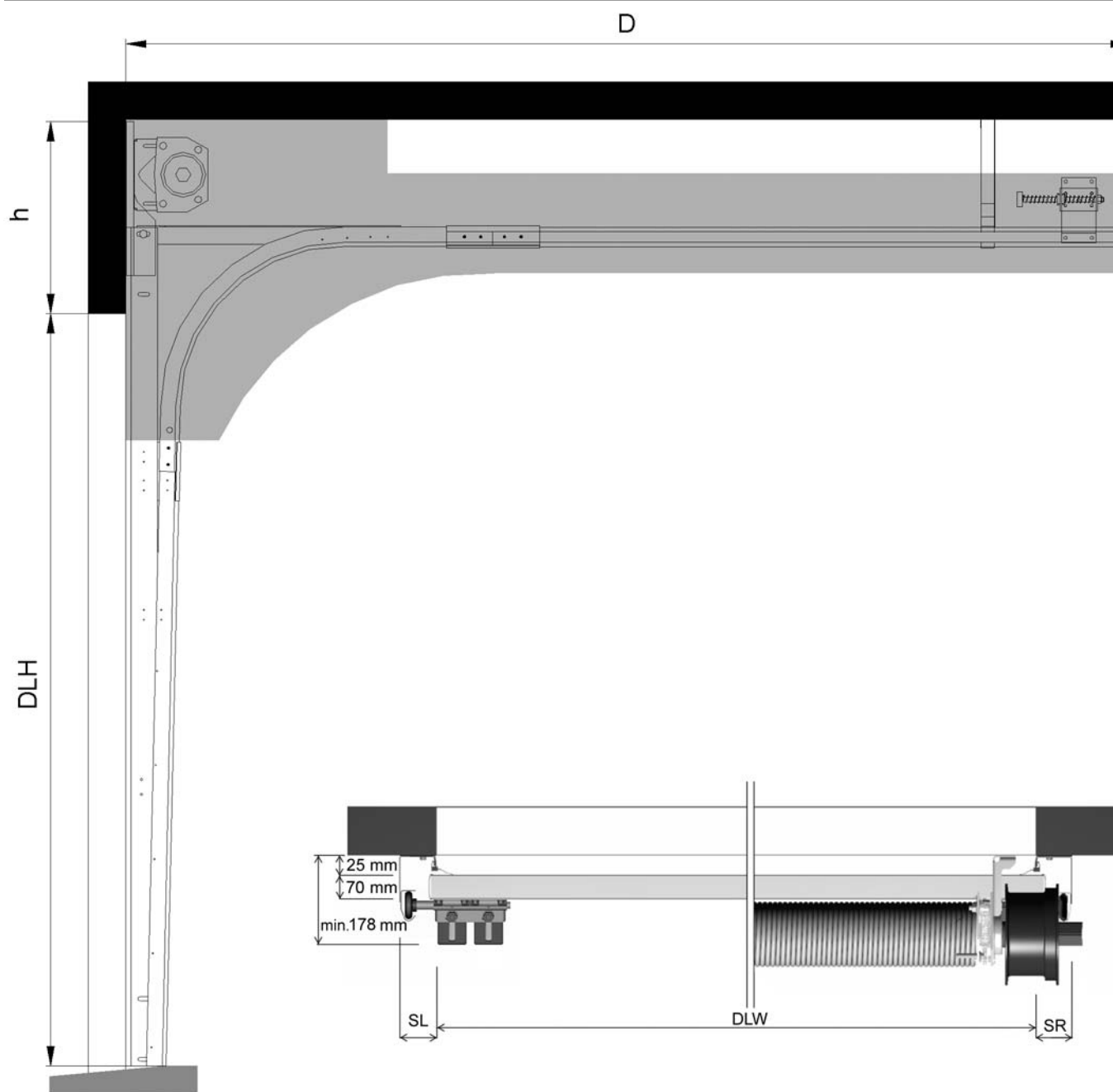
The grey marked area in the illustrations shows the free space required by door movement. Extra space requirements for electrically operated doors are stated in the operator specifications. Extra space requirements for passdoors are stated in the passdoor specifications.

#### 4.2.1 Space requirements SL

DLW	≤ 6000 mm
DLH	≤ 5000 mm
h	485 mm (if DLH ≤ 4500 mm) 510 mm (if DLH > 4500 mm)
SL/SR*	100 mm
D	DLH + 600 mm

\* In case of an electrically operated door, SL or SR = 130 mm on side of safety pull.

Side view



Top view

#### 4.2.2 Space requirements HL

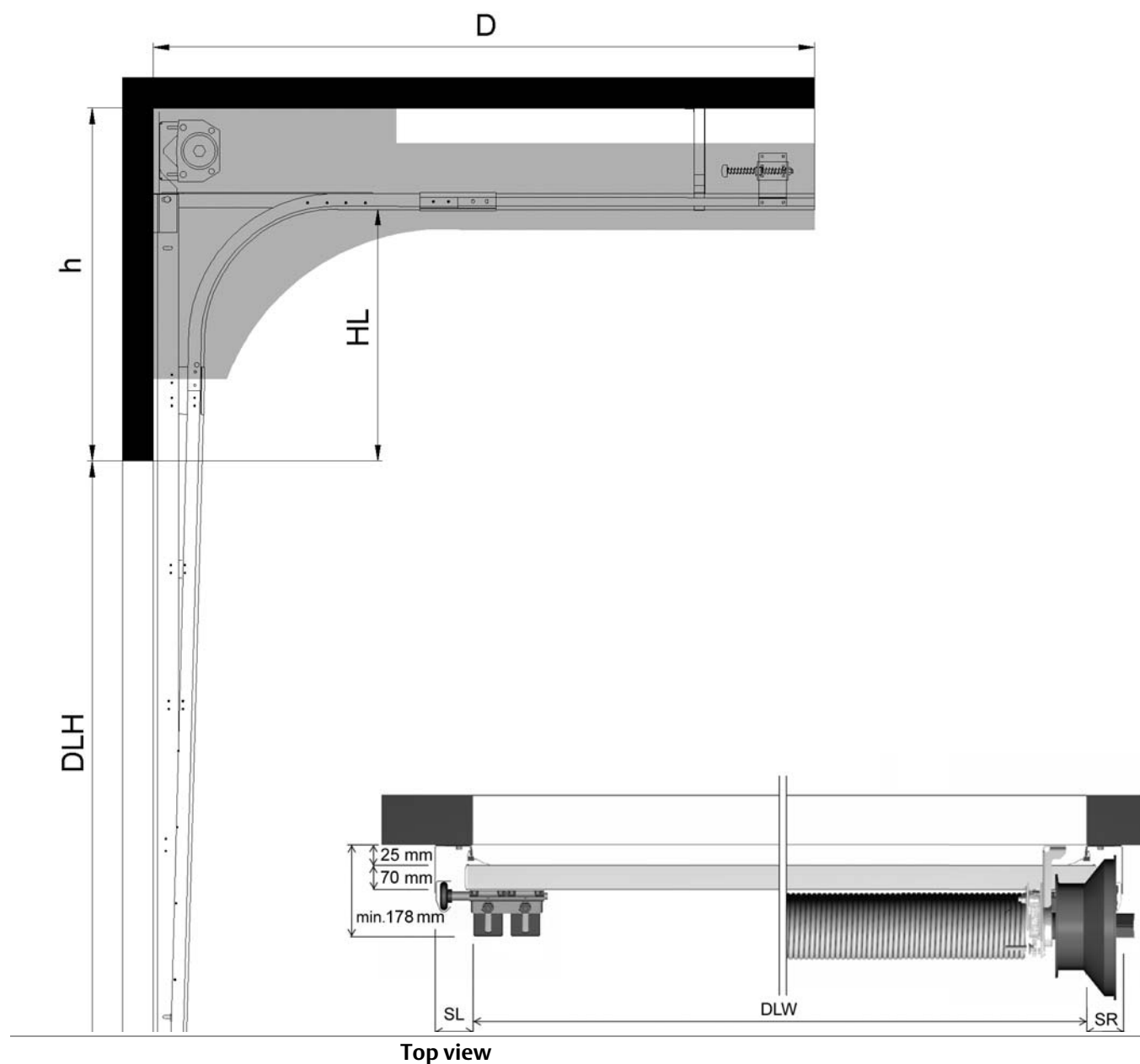
DLW*	≤ 6000 mm
DLH	≤ 5000 mm
h	HL+320 mm (if HL ≤ 3400 mm) HL+370 mm (if HL > 3400 mm)
SL/SR**	100 mm
D	DLH - HL + 800 mm

\* The following doors must be installed on a frame, equipped with an A-65 top seal.

- Doors DLW > 6000 mm
- Doors DLW > 4000 mm with a dark outside colour, installed facing south.

\*\* In case of an electrically operated door with safety pull, SL or SR = 130 mm on side of safety pull.

#### Side view

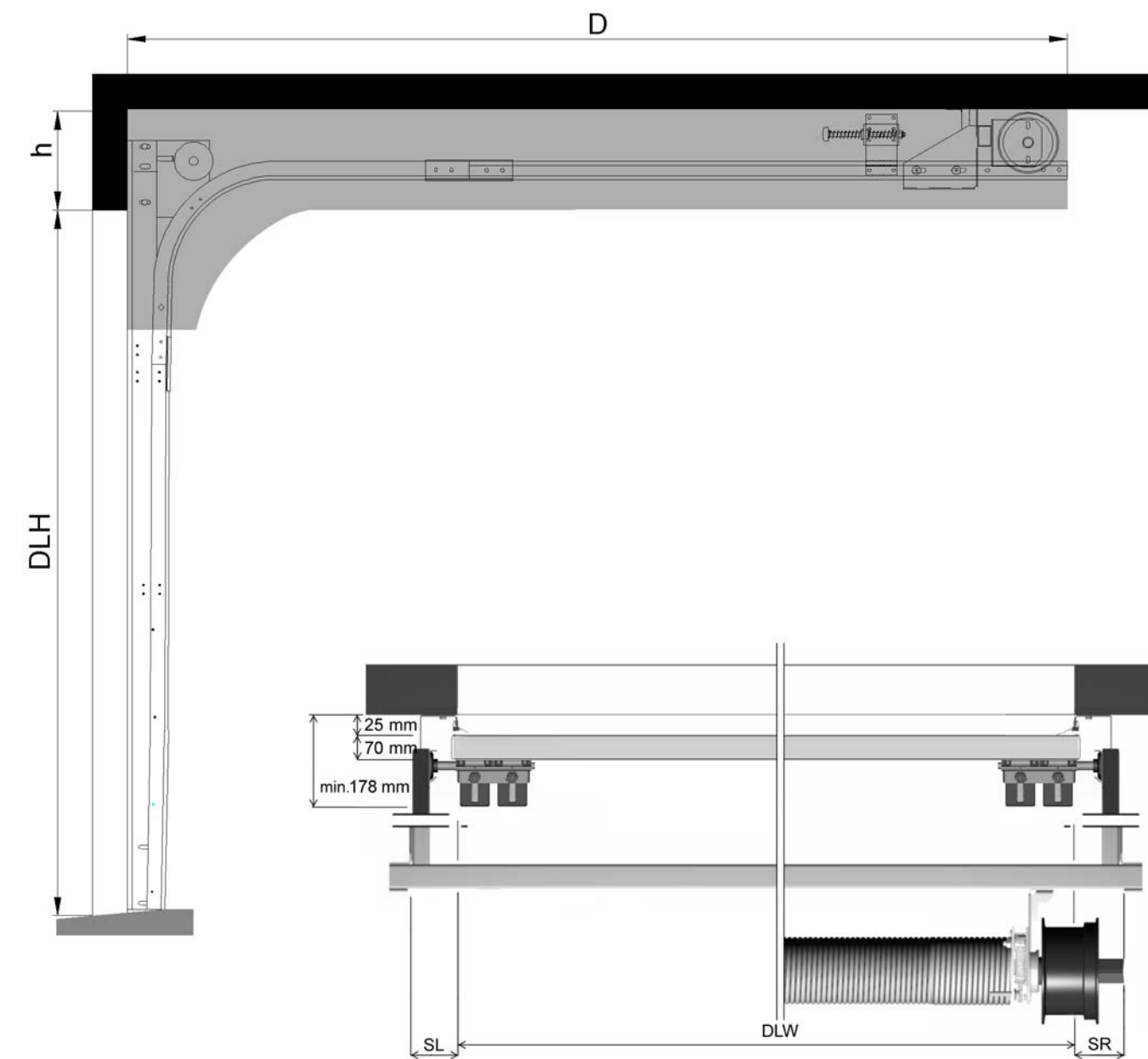


#### 4.2.3 Space requirements LL

DLW	≤ 6000 mm
DLH	≤ 5000 mm
h	335 mm
SL/SR**	100 mm
D	DLH + 1100 mm

\*\* In case of an electrically operated door, SL and SR = 130 mm (because of safety pulls).

Side view



Top view

#### 4.2.4 Space requirements VL

DLW *	≤ 8000 mm
DLH	≤ 5500 mm
h	DLH + 400 mm
SL/SR	100 mm
D	if VLA = 450 mm if VLT = 525 mm

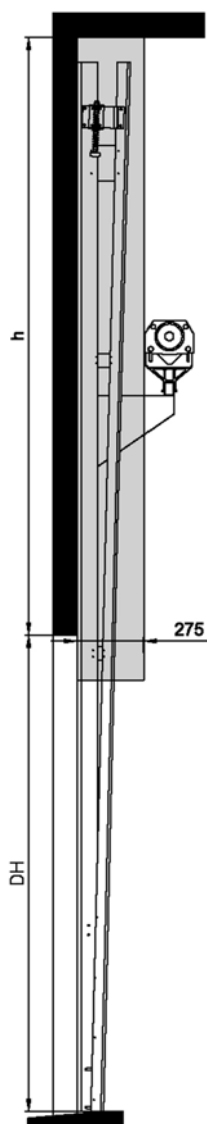
\* For VL doors: DLW ≤ 3000 mm and DLH ≤ 3350 = VLA = no beam installed

For VL doors: DLW > 3000 mm or DLH > 3350 = VLT = installed beam to support the balancing system

The following doors must be installed on a frame, equipped with an A-65 top seal.

- Doors DLW > 6000 mm
- Doors DLW > 4000 mm with a dark outside colour, installed facing south.

#### Side view



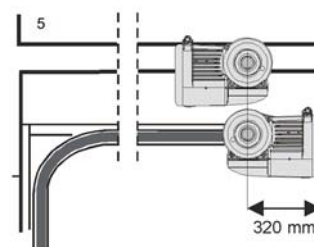
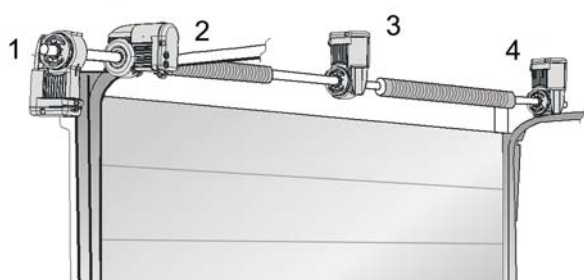
## 4.2.5 Space requirements Door operators

### 4.2.5.1 Chain hoist Space requirements

Location	Extra space requirements (mm).		
	D-hoist	T-hoist	U-hoist
Left/right	100	100	200

### 4.2.5.2 CDM9 (HD / 2H) Installation locations

#### Location of CDM9 (HD / 2H) operator



#### CDM9 (HD / 2H) Space requirements

Location	Extra space requirements (mm).*		
	Side room	Head room	Depth room
1 Left/right	200	0	-
2 Left/right	200	0	-
3 Centre	0	320	-
4 Left/right	200	320	-
5 Centre (Low Lift)	0	0	320

\* Space required in addition to the normal space requirements.

# 5. Service

## Preventive Maintenance Program and Modernization Services

As your entrances are part of your business flow, there's every reason to keep them working well. ASSA ABLOY Entrance Systems offers you a maintenance and modernization expertise to rely on. Our Maintenance Programs and Modernization Services are backed by a extensive expertise for all types of industrial door and docking systems, independent of brand. At your disposal is a team of dedicated expert technicians, proven through decades of maintenance, service and satisfied customers.

### Preventive Maintenance Programs

Minimizing lost time, lost energy and unexpected hassle is our team's constant objective. Our service organization can support you 24/7 in maintaining all industrial door and docking systems, independent of brand. If you want to be one step ahead of break-downs, explore our portfolio of Pro-Active Care plans. Naturally, we also offer entrance upgrades to suit your specific wishes and business needs.

### Pro-Active Care - Maintenance plans to fit your business

Regular maintenance can extend the lifetime of your equipment and help prevent unexpected problems. Our technician arrives on-site equipped with the knowledge and tools to service all automatic entrances, independent of brand.

- **Pro-Active Bronze**

The base on which all Pro-Active Plans are built provides the security of knowing that your equipment is regularly inspected and certified for safety, as well as performing optimally. It includes a number of planned on-site visits depending on your needs. Any unplanned service calls required during the term of the contract (including labor, travel and parts) are billed at special Pro-Active Care prices.

- **Pro-Active Silver**

This plan provides all the benefits of Pro-Active Bronze with the added advantage of labor and travel being included for service calls during regular business hours. The only additional charge would be for any parts that may be needed throughout the term of the contract.

- **Pro-Active Gold**

This plan provides the ultimate protection for your automatic entrance investment. It includes all the benefits of Pro-Active Silver, plus replacement of any parts required during an unplanned repair or planned maintenance visit. Pro-Active Gold is an excellent way to budget your automatic door expenses annually.

- **Pro-Active Tailor-Flex**

Our most flexible maintenance and service offering. The Pro-Active Care plan is designed by you, our customer. The plan allows you to balance your maintenance expenses against your real-world budget and presents the option to add or delete a number of maintenance elements to suit your budget goals, while meeting your overall performance and safety needs.

### Modernization

Your entrances are a long-term investment, from which you always want the best. Products develop over time, so do regulations and your business. Let us help you increase energy savings and meet today's standards. We provide advice and modernization kits for outdated installations, ensuring your investment meet requirements and performs optimally for many more years to come.

Re-Active Service		Pro-Active Care				
Corrective	SafetyCheck	Pro-Active Bronze	Pro-Active Silver	Pro-Active Gold	Pro-Active Tailor Flex	
		○	○	○	●	Other customized requests such as Response Time, Performance InfoPack and Advanced User Training
		○	○	●	○	Replacement of worn parts according to preventive Consumable Exchange Program
		○	○	●	○	Replacement of spare parts on breakdowns
		○	●	●	○	Travel and labor for additional call-out visits
		●	●	●	●	Preventive maintenance visits 1-4 times per year
		●	●	●	●	Travel and labor for preventive maintenance visits
		●	●	●	●	Response time and priority on call-outs <24h
		●	●	●	●	Preventive planned maintenance that meets the most demanding standards in the market
	●	●	●	●	●	Safety and quality checks according to applicable regulations and norms. Documentation of test results provided
●	●	●	●	●	●	Documentation of equipment status, assessment and service provided, all generated on site
●	●	●	●	●	●	Highly trained professional technicians with extensive knowledge, state-of-the-art tools and the right spare parts*
●	●	●	●	●	●	Dedicated Professional Customer Care Hotline

● = Included as standard

○ = Available at special prices

\* Well-stocked service vehicles with genuine and new spare parts



# Index

## Numerics

900 Door control systems .....	17
900 Door control systems - Selection guidelines .....	24
900 Door control systems - Selection guidelines for automation .....	24
920 Door control system .....	17
930 Door control system .....	17
950 Door control system .....	17

## A

Access and automation .....	18
Additional functions .....	20
Air permeability .....	26
ALR .....	10
Automatic closing .....	19
Automatic control functions .....	19

## B

Balancing system .....	14
Basic control functions .....	18
Bottom seal .....	8
Building and space requirements ...	27
Building preparations .....	27

## C

Cable break device (CBD) .....	14
CDM9 (HD / 2H) Installation locations	33
CDM9 (HD / 2H) Space requirements	33
CDM9 Operator .....	16
CDM9 Operator - 900 Door control systems .....	16
CEN Performance .....	25
Chain hoist .....	15
Chain hoist Space requirements ....	33
Colours .....	7
Construction .....	7
Copyright and Disclaimer Notice .....	2
Cylinder lock .....	9

## D

Daylight width and daylight height	22
Deflection of door panels .....	27
Description .....	6
Dimensions .....	22
Dock management .....	21
Door leaf .....	7
Door operation .....	23

## E

Electrical operation .....	16
Electrical preparations .....	27
External control functions .....	18
External push button box .....	18

## F

Facility management .....	21
Features .....	3
Finger pinch protection .....	10
Fixed sections .....	10

## G

General .....	6, 11, 17
---------------	-----------

## H

Handle .....	9
High Lift .....	12

## I

Installation preparations .....	27
Interlocking .....	18

## L

Lifetime expectation .....	25
Lock bolt .....	9
Locks .....	9
Low lift .....	12

## M

Magnetic loop .....	19
Material .....	7
Monitoring systems .....	21

## N

Number of windows .....	23
-------------------------	----

## O

Operating forces and safe openings	26
Operating system .....	15
Optional colours * .....	7
Options .....	6

## P

Performance .....	3
Photocell open door .....	19
Pull-down rope .....	15
Pull-rope switch .....	18

## R

Radar .....	19
Reduced opening .....	18
Relay box .....	20
Remote control .....	18
Resistance to water penetration ....	25
Resistance to windload .....	25

## S

Safety devices .....	14
Safety edge .....	19
Safety functions .....	19
Safety photocells 1-channel .....	19
Safety photocells 2-channel .....	19
Saving energy .....	21
Seals .....	8
Section sizes .....	22
Security enhancement .....	21
Selection guidelines for door operator	23
Selection guidelines for operation type	23
Service .....	34
Side seal .....	8
Space requirements .....	28
Space requirements Door operators	33
Space requirements HL .....	30
Space requirements LL .....	31
Space requirements SL .....	29
Space requirements VL .....	32
Special track sets .....	13
Specifications .....	22
Spring break device (SBD) .....	14
Standard .....	6
Standard colour .....	7
Standard Lift .....	11
Standard Low Lift .....	11

## T

Technical facts .....	3
Thermal transmittance .....	26
Top seal .....	8
Track sets .....	11
Traffic lights - Red & Green .....	20
Types of operation .....	15

## U

UPS battery backup .....	20
--------------------------	----

## V

Vertical cross-section .....	22
Vertical Lift .....	12

## W

Warning lights - Green .....	20
Warning lights - Red .....	19
Wind reinforcement truss .....	8
Windows .....	10, 23





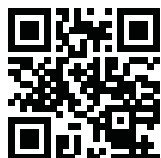


ASSA ABLOY Entrance Systems is a leading supplier of entrance automation solutions for efficient flow of goods and people. With our globally recognized product brands Besam, Crawford, Megadoor and Albany, we offer products and services dedicated to satisfying end-user needs for safe, secure, convenient and sustainable operations.  
ASSA ABLOY Entrance Systems is a division within ASSA ABLOY.

**ASSA ABLOY**

[assaabloyentrance.com](http://assaabloyentrance.com)

Q2.0 - 2014



ASSA ABLOY Entrance Systems

[assaabloyentrance.com](http://assaabloyentrance.com)